

MINISTRY OF EDUCATION, HERITAGE & ARTS

WORKSHEET 5 YEAR 12 2021

TECHNICAL DRAWING

STRAND 1: GEOMETRY

INSTRUCTIONS:

1. Use your exercise book to do all the questions given below.
2. All measurements are in millimeters.
3. Show all your construction lines clearly.

NAME:

SECTION B

QUESTION 1

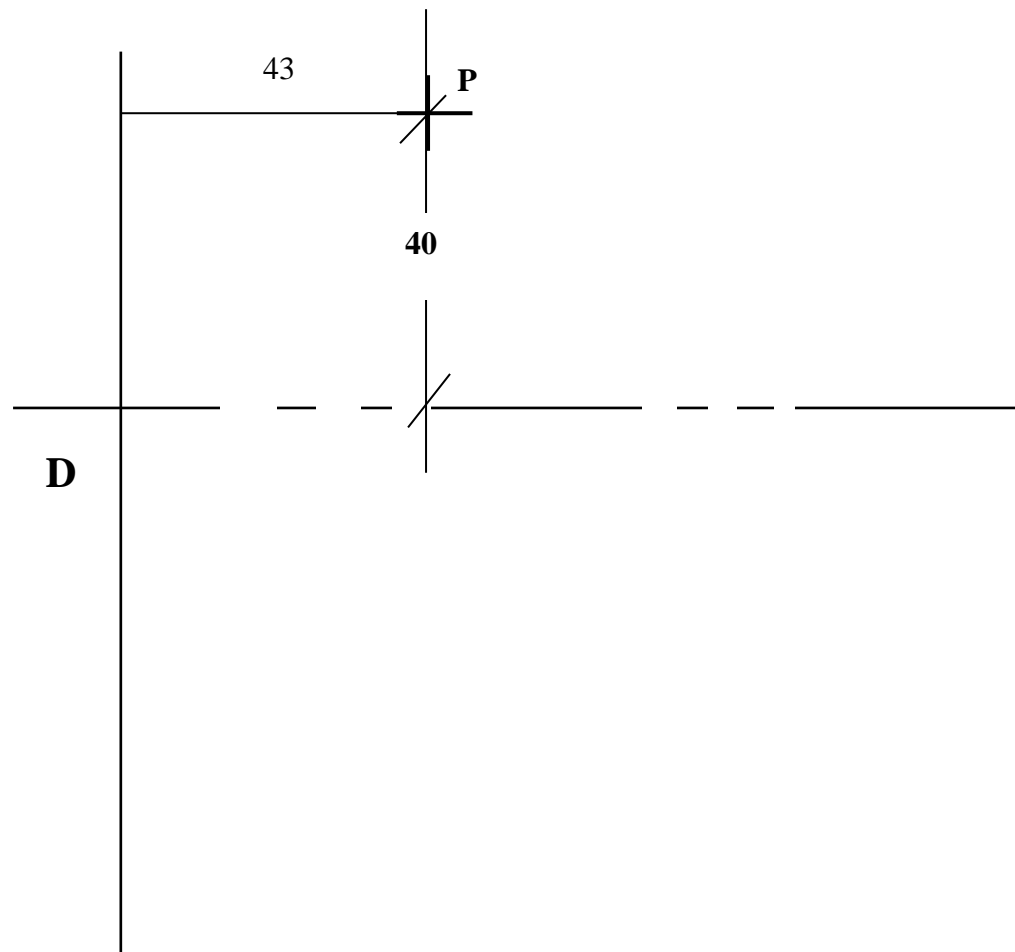
(20 marks)

PART A

(10 marks)

Given: The directrix and the axis line.

- Required:**
- (i) Find the vertex, and focus **(4marks)**
 - (ii) Draw the curve using the ratio 3:4 **(5 marks)**
 - (iii) Name the curve _____ **(1 mark)**



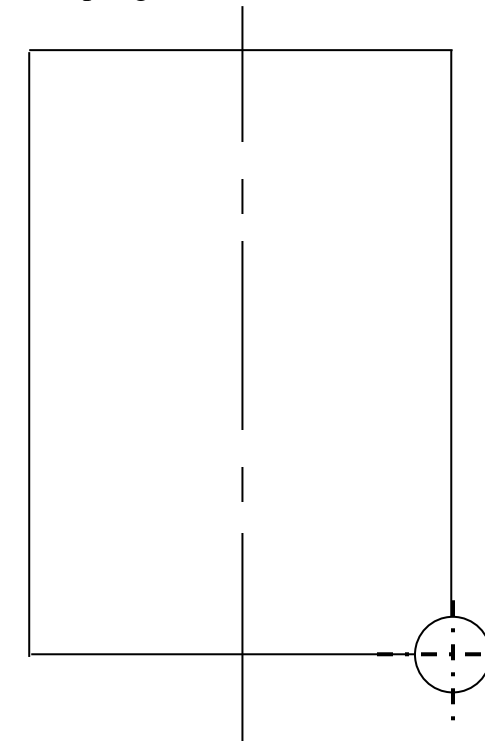
| BQ1A | | | |
|------|--------------------------|---|--|
| 1 | Correct method to find F | 3 | |
| 2 | Correct method to find V | 2 | |
| 3 | Correct shape or curve | 2 | |
| 4 | Name the curve | 1 | |
| 5 | Correct method | 2 | |
| BQ1C | | | |
| 6 | Correct method | 3 | |
| 7 | Correct curve | 2 | |
| BQ1B | | | |
| 7 | Correct division | 3 | |
| 8 | Correct method | 2 | |
| 9 | Correct spring | 2 | |
| 10 | Correct label | 2 | |
| 11 | Correct line work | 1 | |

PART B

(10 marks)

Given: The Elevation of a Left Hand Helical Spring..

Required: Draw a right hand helical spring for 1 1/4 revolution.



PART C

(5 marks)

Given: An asymptote and a point P of a Hyperbolic curve Hyperbolic

Required: Construct a Hyperbolic curve

